

HEAVY DUTY AGM DUAL PURPOSE BATTERY

LPM12-240HD (12V240Ah)



CHARACTERISTICS

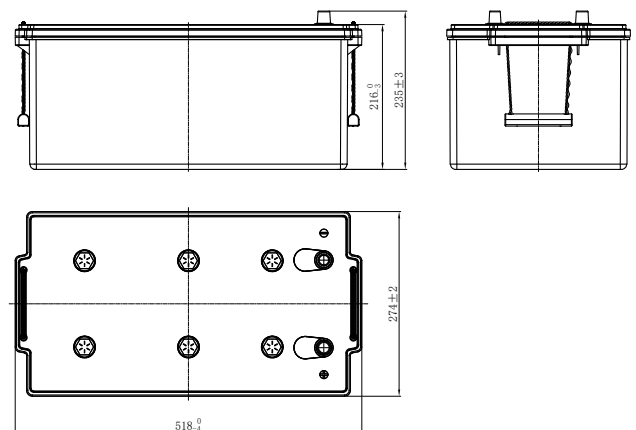
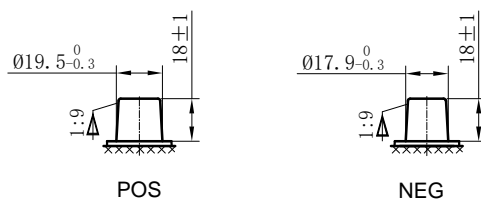
Item	Specifications	
Nominal Voltage	12V	
Nominal Capacity (20HR)	240Ah	
Reserve Capacity	525min	
Cold Cranking Amps@0°F (-18°C)	1300A	
Dimension	Length	518mm (20.4inches)
	Width	274mm (10.8inches)
	Height	235mm (9.25inches)
Approx Weight	66.5kg (146.6lbs)	
Terminal	5	
Cell layout	3	
Hold-Down	B0	
Case	Black-PP Material	
Cover	Black-PP Material	
Handle	TS8	

APPLICATIONS

- Parking air-conditioner
- Commercial vehicle start
- Engine start

GENERAL FEATURES

- Superior deep cycle performance
- Excellent start ability
- Super capacity
- VRLA and maintenance-free design
- Excellent vibration resistance – EN V4
- High charge acceptance, fast recharge
- OE quality certification



*Values are subject to variation of +/- 5% in normal manufacturing processes.

Leoch International Technology Ltd.
www.leoch.com

Leoch Batteries Pte Ltd
www.leoch.sg

Leoch Battery Corporation
www.leochamericas.com

Leoch Europe S.A.
www.leoch.eu